

Receiver
From

 Society
 Reference
 Address
 Phone
 Fax
 E-mail

Item n° :

102160142

Model :

JET 200 M

Pump data

 Pressure rating : 8 bar (800 kPa)
 Min. fluid temperature : 0 °C
 Max. fluid temperature : 35 °C
 Max. Temperature operating : 40 °C

Priming capacity :

H	m	2	3	4	5	6	7	8
Q	m ³ /h	4.2	3.72	3.36	3	2.46	1.98	1.5

Requested data

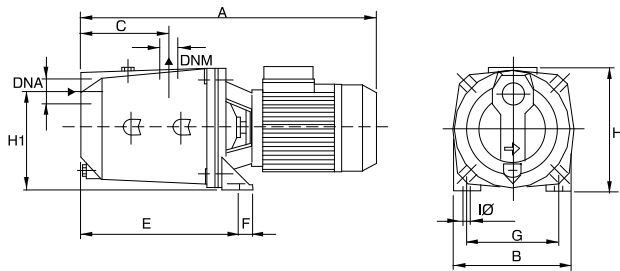
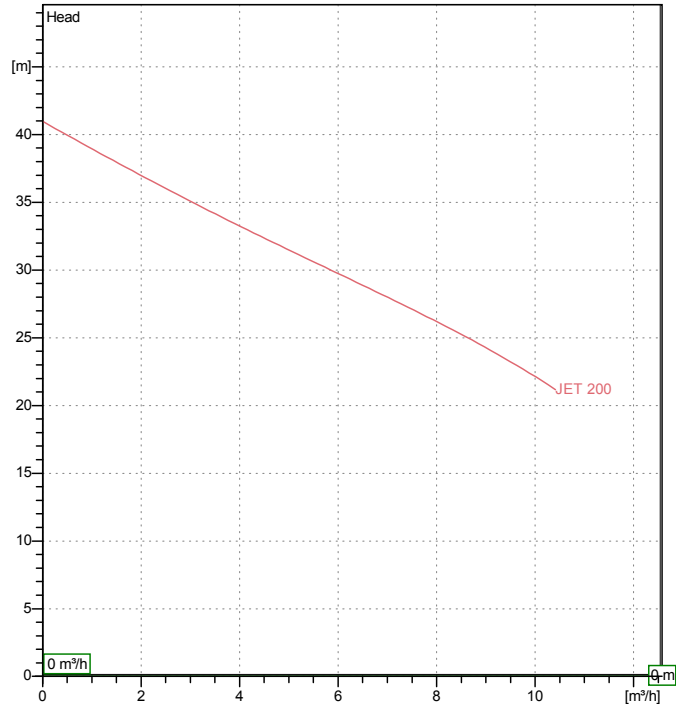
 Flow : 0.00 m³/h
 Head : 0.00 m
 Fluid : Water, pure
 Fluid Temperature : 20 °C
 Density : 998.3 kg/m³
 Kinematic viscosity : 1.005 mm²/s
 Vapor pressure : 100.00 kPa

Hydraulic data (duty point)

 Flow :
 Head :

Materials

Pump body	Cast iron 200 UNI ISO 185
Support	Cast iron 200 UNI ISO 185
Impeller	Technopoly mer A
Mechanical seal	Carbon/Ceramic
OR ring	NBR Rubber
Shaft with rotor	AISI 416 X12 CrS 13 UNI 6900/71
Diffuser	Technopoly mer A

Curve tolerance according to ISO 9906

Motor data

 Motor brand : DAB
 Nominal power P2: 1.5 kW
 Rated speed : 2850 rpm
 Rated voltage : 1~ 220-240 V 50 Hz
 Nominal current : 9 A
 Degree of protection : IP 44

Dimensions in
mm

A	521	DNM	1"1/4 G	H	227		
B	214	E	282	H1	175		
C	151	F	20	IO	11		
DNA	1"1/2 G	G	160				

Weight : 27 kg

Pump connection

 Suction side 1 " 1/2 G/ 8 bar (800 kPa)
 Discharge side 1 " 1/4 G/ 8 bar (800 kPa)



WATER • TECHNOLOGY

PERFORMANCE CURVES

07/12/2014

Page 2 / 3

DAB PUMPS S.p.A.
Via Marco Polo, 14 - 35035 Mestrino (PD), Italy
Tel. +39 049 5125000 - Fax +39 049 5125950
www.dabpumps.com

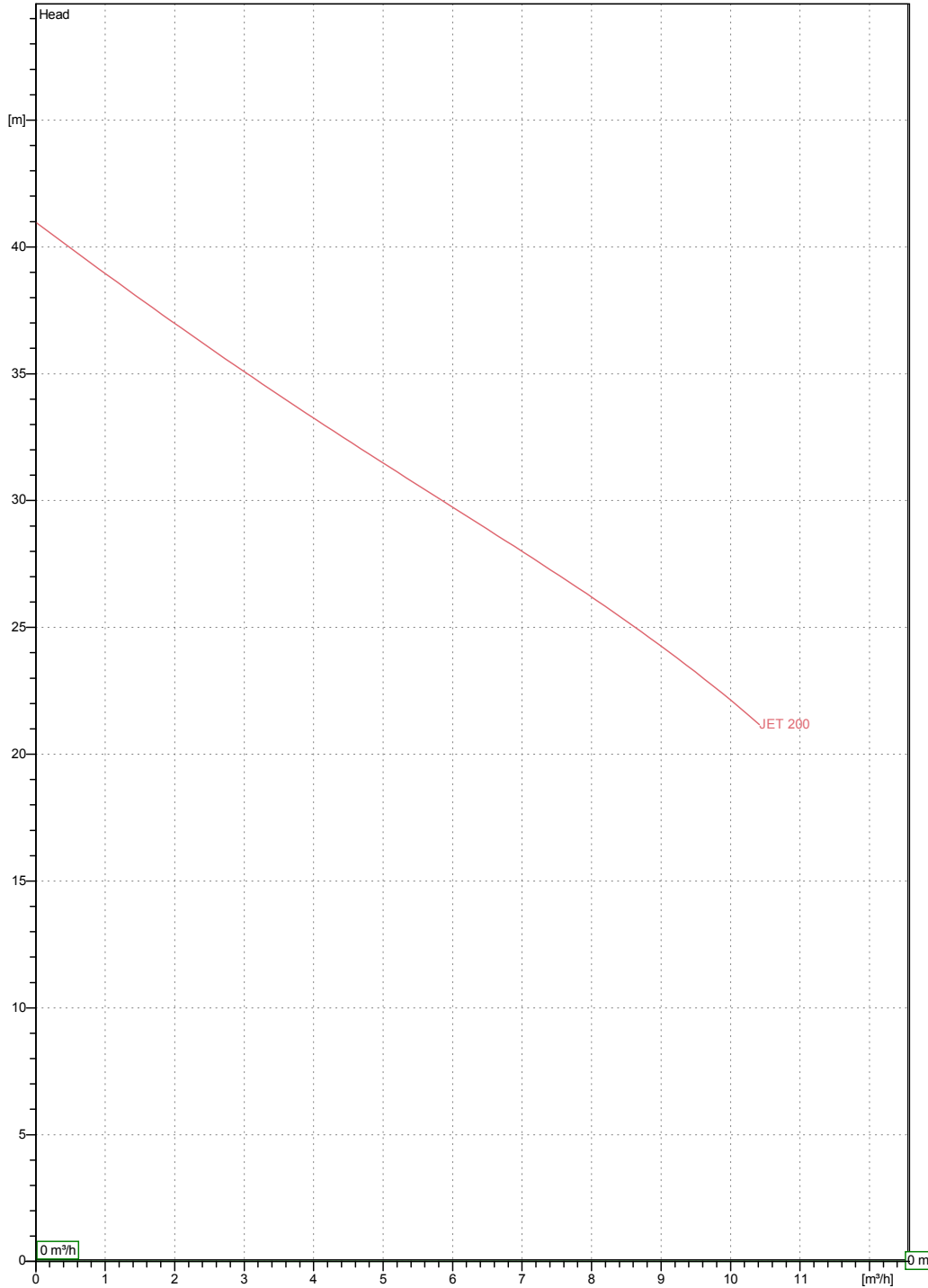
Receiver

From

Society
Reference
Address
Phone
Fax
E-mail

JET 200 M

Curve tolerance according to ISO 9906



Hydraulic data (duty point)

Suction side 1 " 1/2 G 8 bar (800 kPa)	Discharge side 1 " 1/4 G 8 bar (800 kPa)	Flow : 0 m³/h	Head : 0 m	Rated speed : 2850 rpm
Project	Project ID	Created by	Created on 07/12/2014	



WATER • TECHNOLOGY

DIMENSIONAL DRAWING

07/12/2014

Page 3 / 3

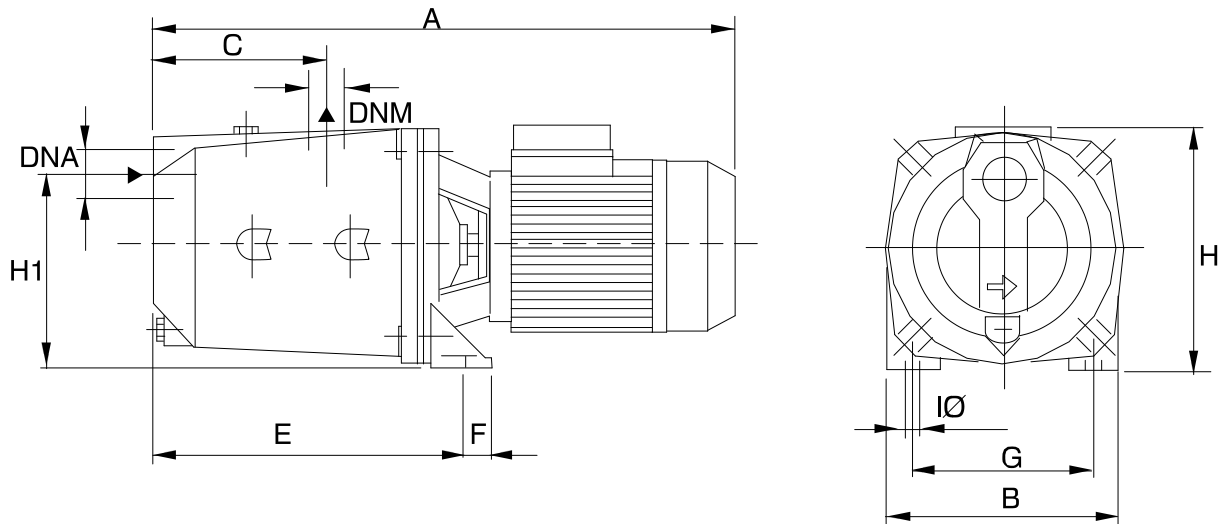
DAB PUMPS S.p.A.
Via Marco Polo, 14 - 35035 Mestrino (PD), Italy
Tel. +39 049 5125000 - Fax +39 049 5125950
www.dabpumps.com

Receiver

From

Society
Reference
Address
Phone
Fax
E-mail

JET 200 M



Dimensions in mm

1	A	521	IO	11		
2	B	214				
3	C	151				
4	DNA	1"1/2 G				
5	DNM	1"1/4 G				
6	E	282				
7	F	20				
8	G	160				
9	H	227				
10	H1	175				

Pump connection

Suction
1 " 1/2 G
8 bar (800 kPa)

Discharge
1 " 1/4 G
8 bar (800 kPa)

Project

Project ID

Created by

Created on

07/12/2014